



QUICK SWITCH

**LEITNER**<sup>®</sup>  
ropeways

# SWITCHGATE FOR HIGHFREQUENT SWITCHING CYCLES

## The switch is used for:

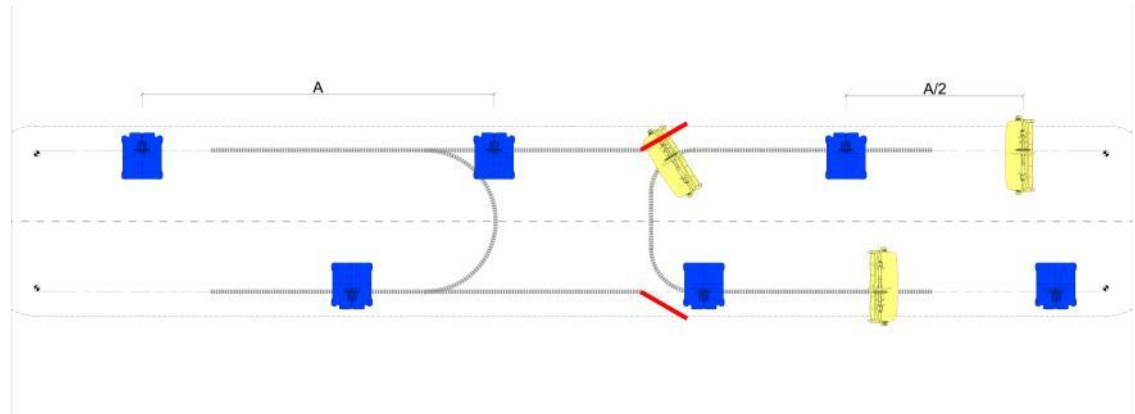
-Chairlifts and gondola ropeways with two or more sections and different capacities

-Installations with two entrances

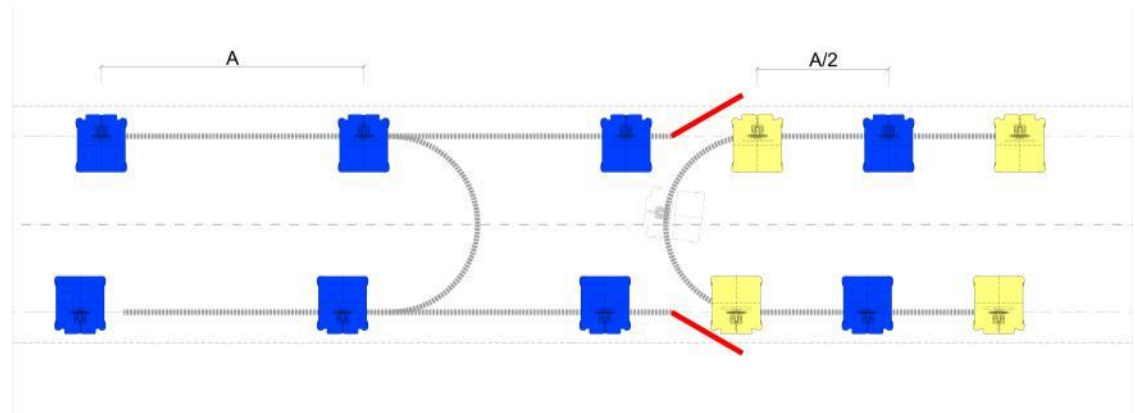
-TMX with separate entrance for gondola and chair

-TMX with two or more sections and different capacities and different vehicles

see ex. 1



Ex. 1: Section 1 only gondola – Section 2 gondola and chair



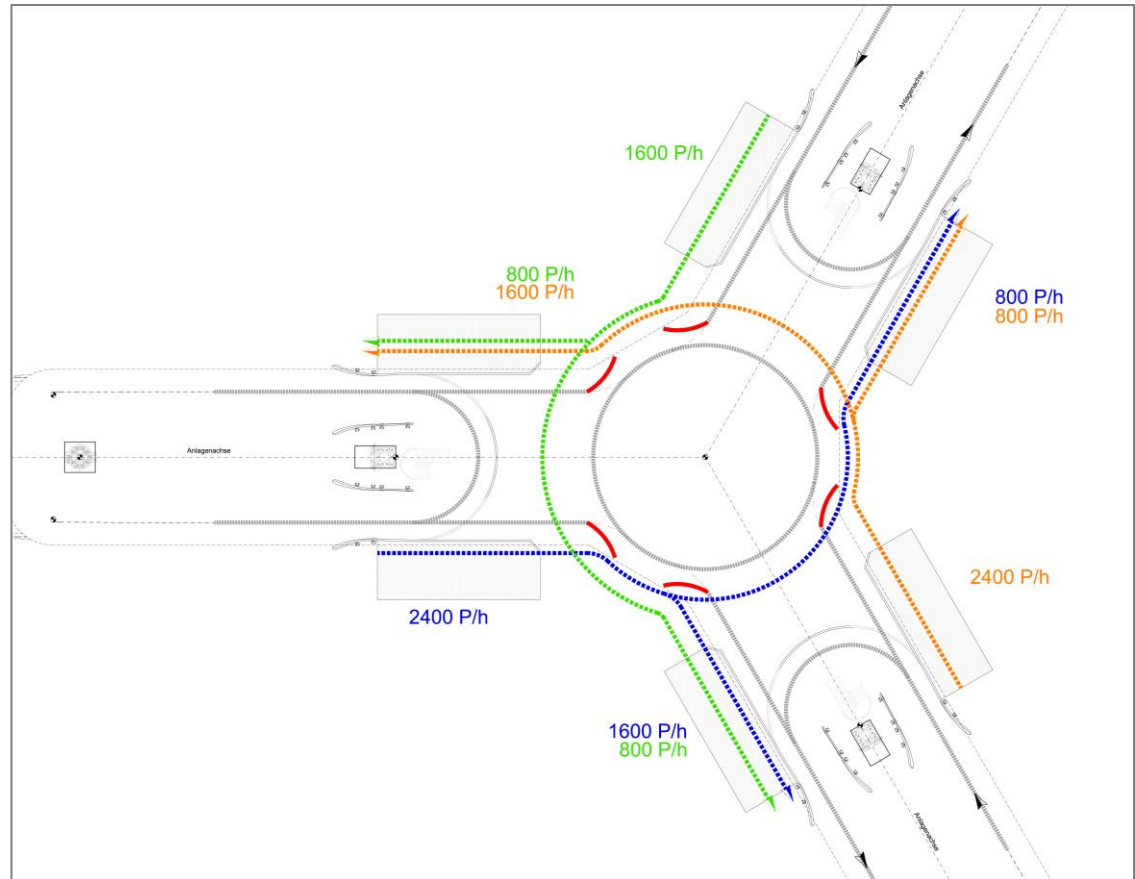
Ex. Transport capacity in ratio 1:2

# SWITCHGATE FOR HIGHFREQUENT SWITCHING CYCLES

## Advantage

-Enables a different capacity on two ore more sections

-By special installations the vehicles can navigate to different destination stations



Select the station of destination & different transport capacity

# SWITCHGATE FOR HIGHFREQUENT SWITCHING CYCLES

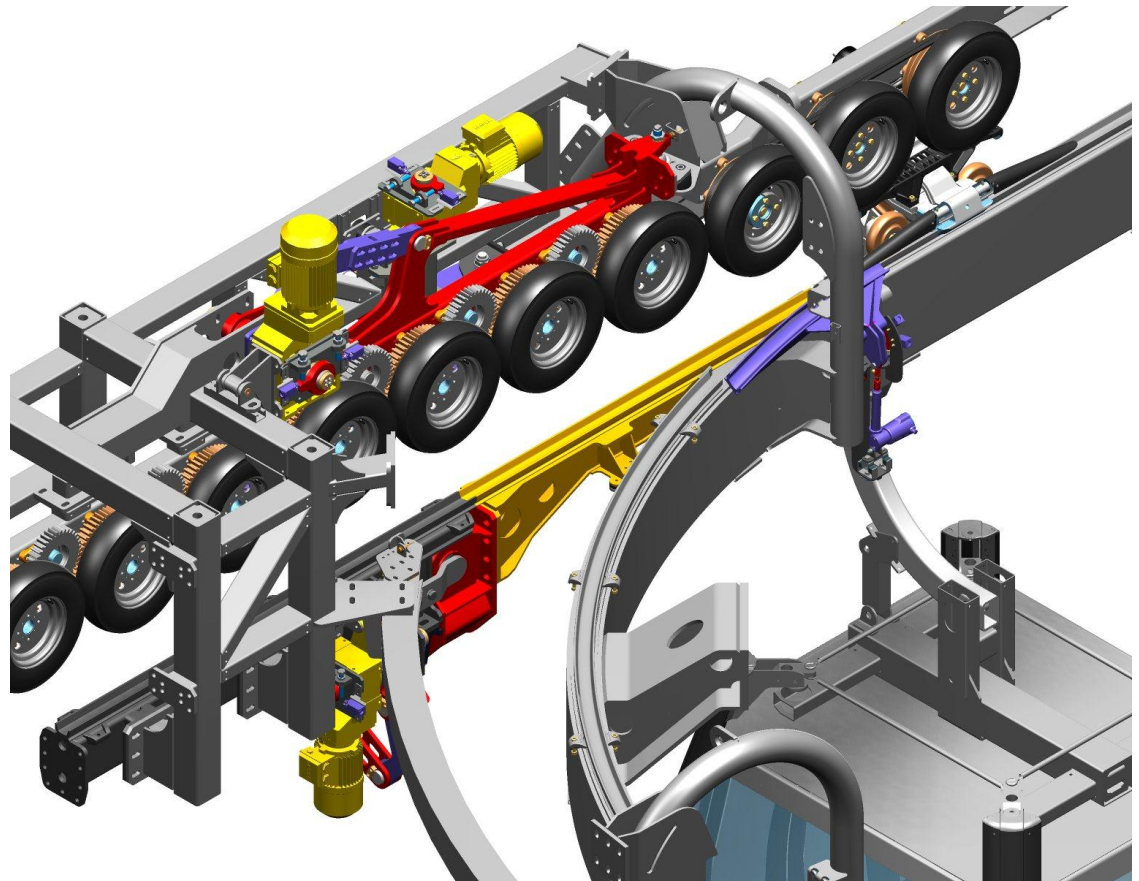
## Characteristics of the quick switch

The quick switch is normally in drive through mode.

If necessary it can be switched in position for circulation mode.

Max. switching time for quick switch: 2 sec.

Distance between vehicles min.: 9 sec.



Quick switch in drive through mode

# SWITCHGATE FOR HIGHFREQUENT SWITCHING CYCLES

---

## Reference

The switch is already in operation by the installation Ried on Kronplatz-IT.

The functioning of highfrequent switching cycle



GD10 Ried Kronplatz (BZ) / IT

**LEITNER**<sup>®</sup>  
ropeways